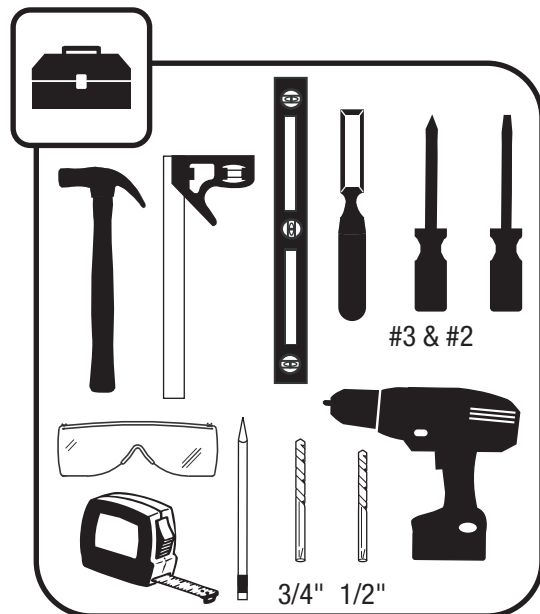
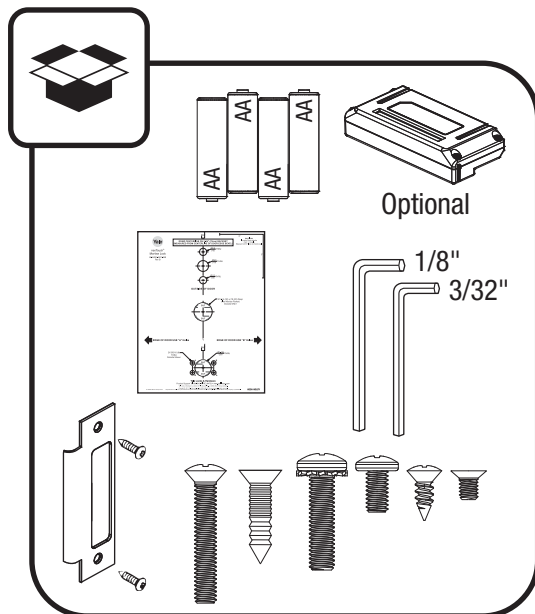
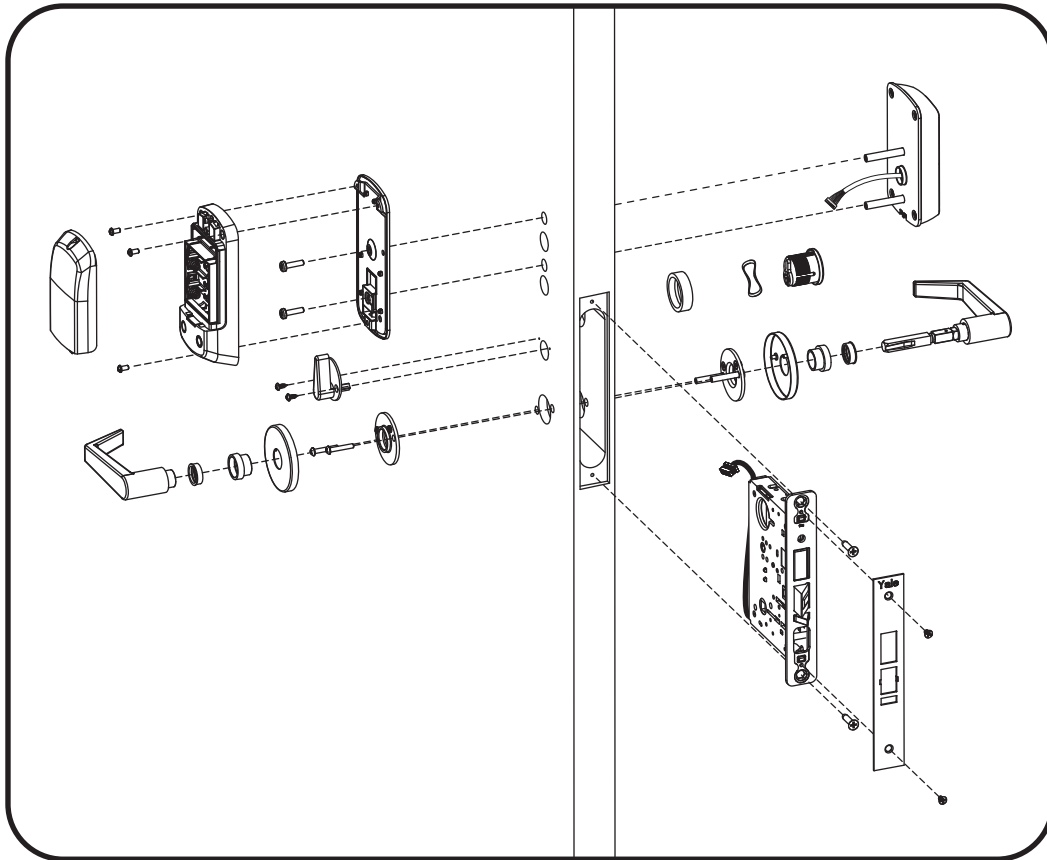
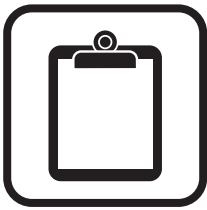




nexTouch®
Touchscreen and Push Button Keypad Sectional Mortise Lock
Installation and Programming Instructions



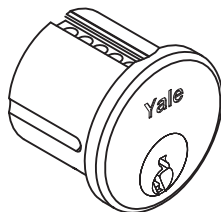
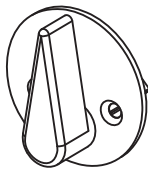
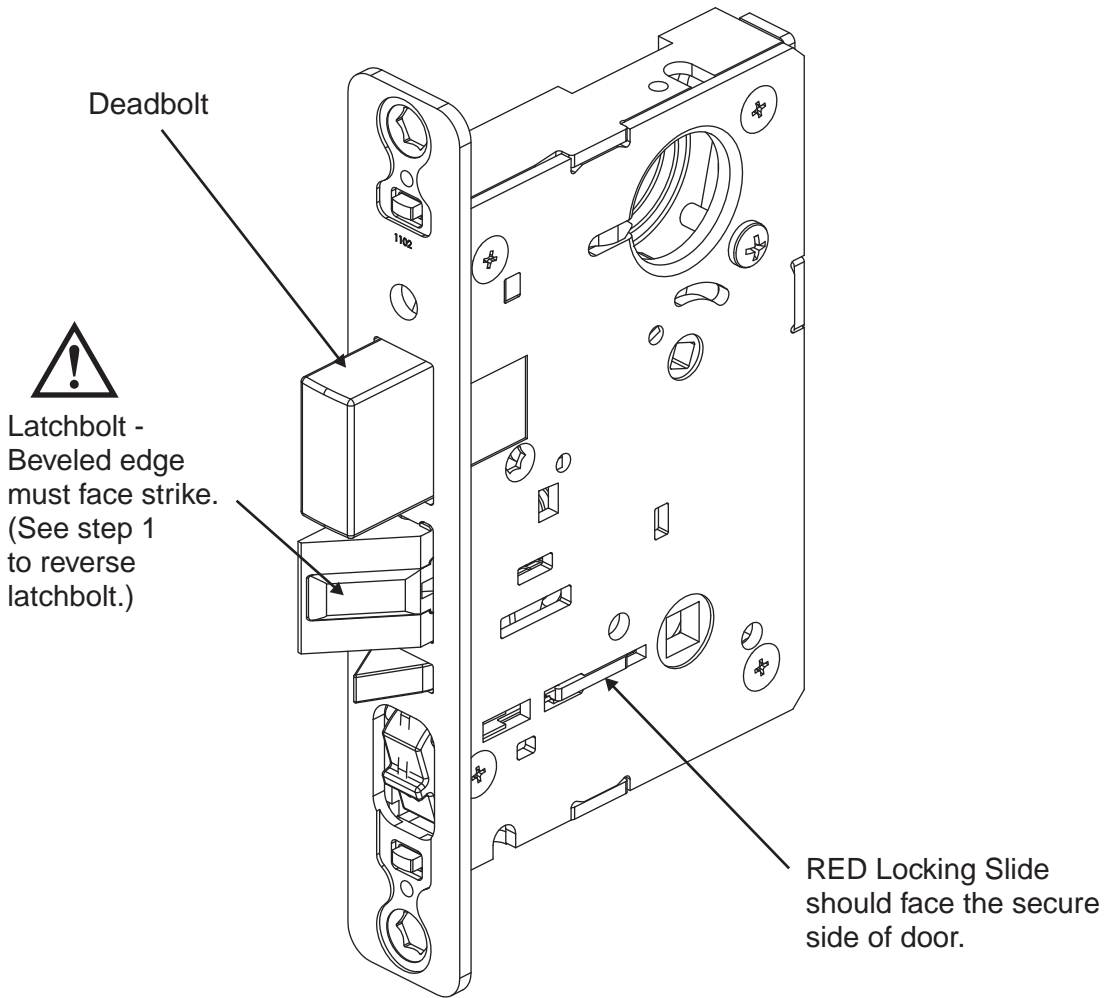
Retrofitting or modifying this product may impact fire rating, safety features and warranty.
Consult with code specifications to ensure compliance with all codes and ratings.



Determining Handing



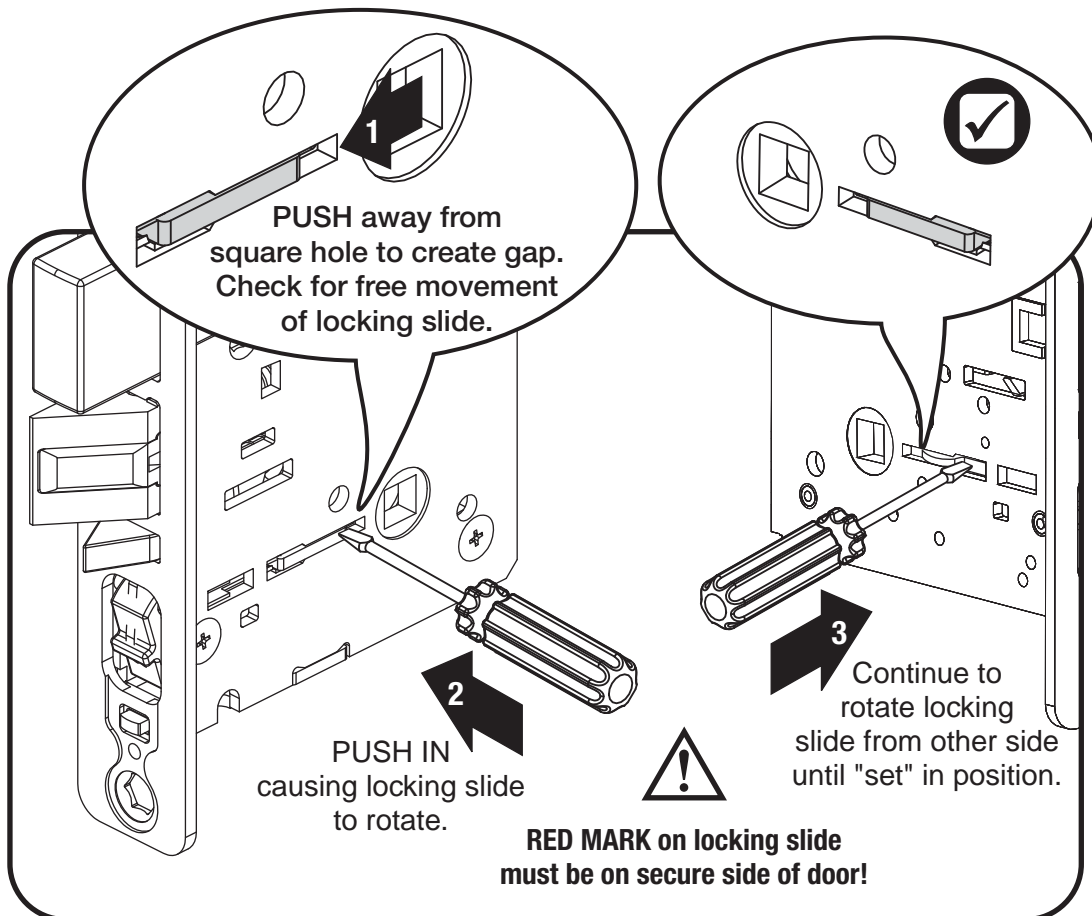
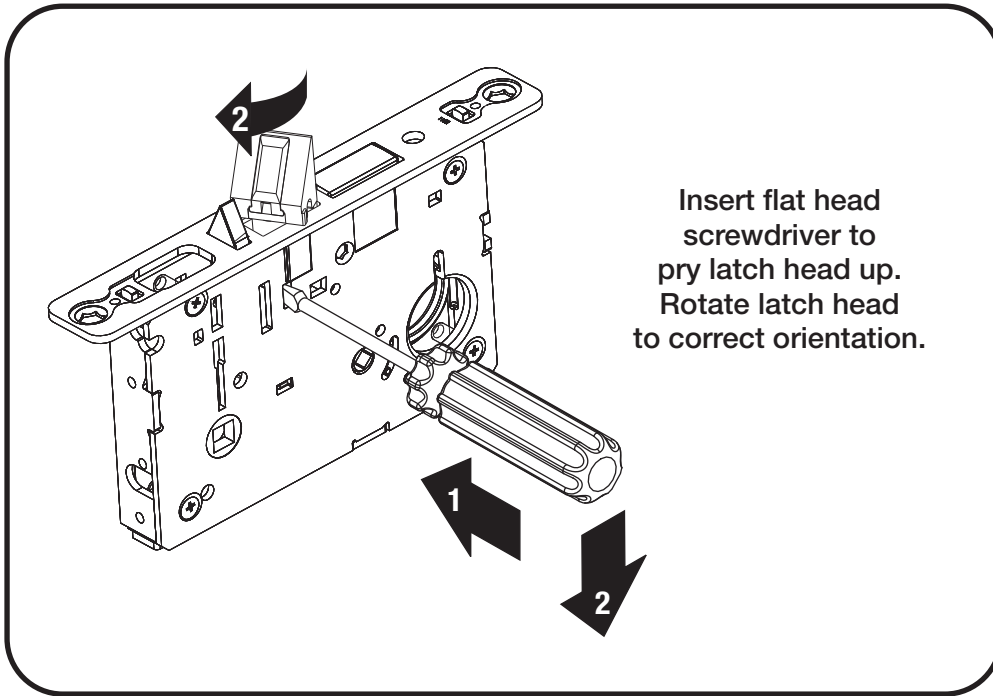
The hand of a door is determined from the secure side of the door. The term "secure" means the side from which you unlock and enter.



Key cylinder used for cylinder option installation. Thumbturn used when mortise lock is equipped with deadbolt.

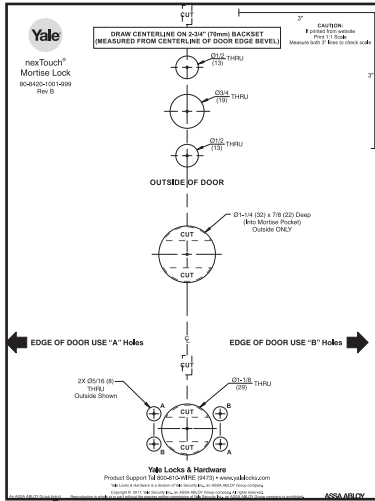
1

Handing Latchbolt & Hubs (If Necessary)



2

Preparing Door



Outside of Door

Mortise Key Cylinder Hole:
Drill only 1/2 way into door **ONLY** if lock is equipped with cylinder.

Drill thru holes 1/2 way thru door then complete from other side to prevent splitting.

Inside of Door

Mortise Lock Cable Hole:
Drill only 1/2 way into door (7/8" depth) then **STOP!**

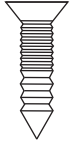
Mortise Deadbolt Thumbturn Hole:
Drill only 1/2 way into door **ONLY** if lock is equipped with deadbolt.

3

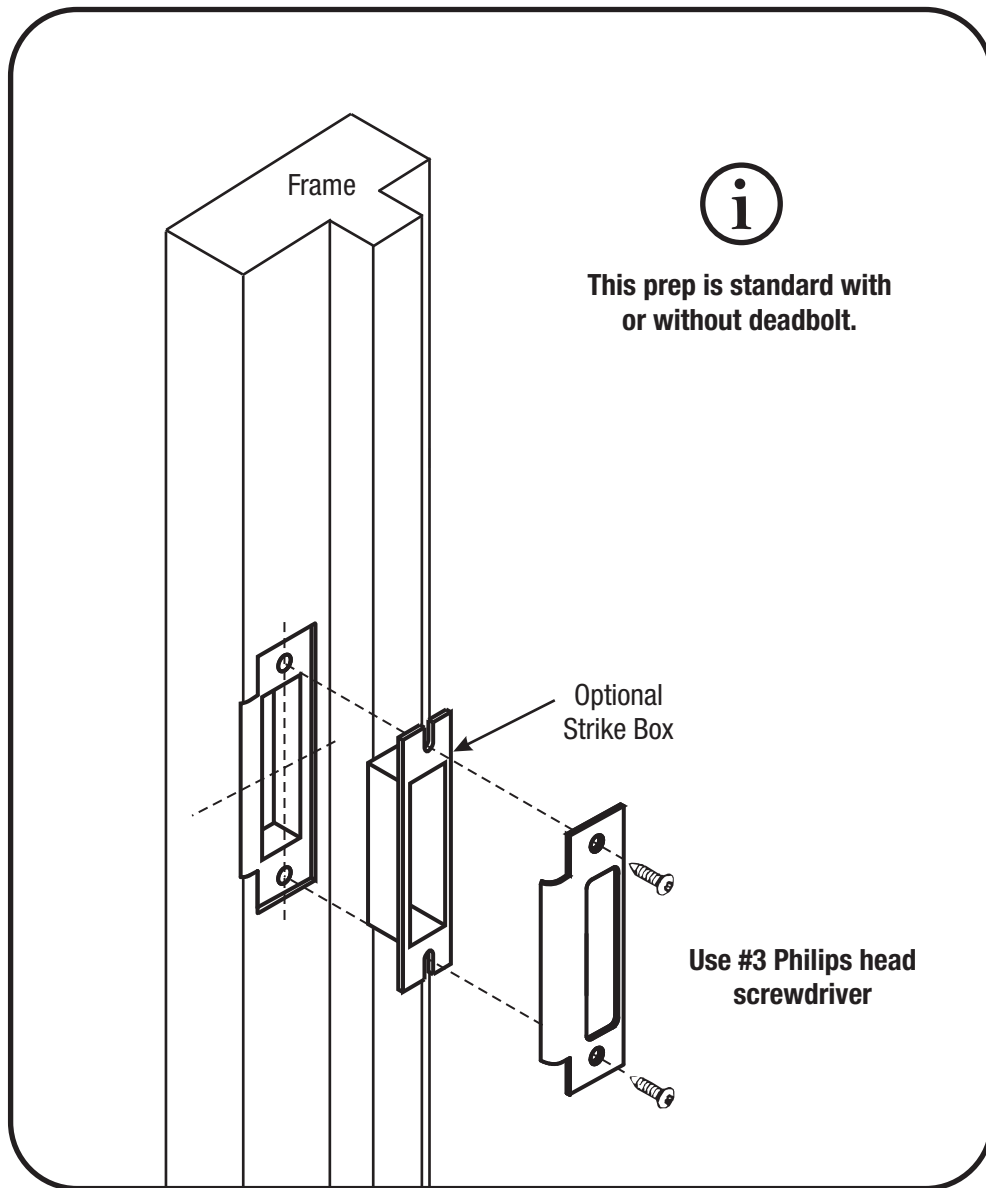
Preparing Frame & Installing Strike



#12-24x1" Flat Head Combo Screw



x2

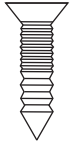


4

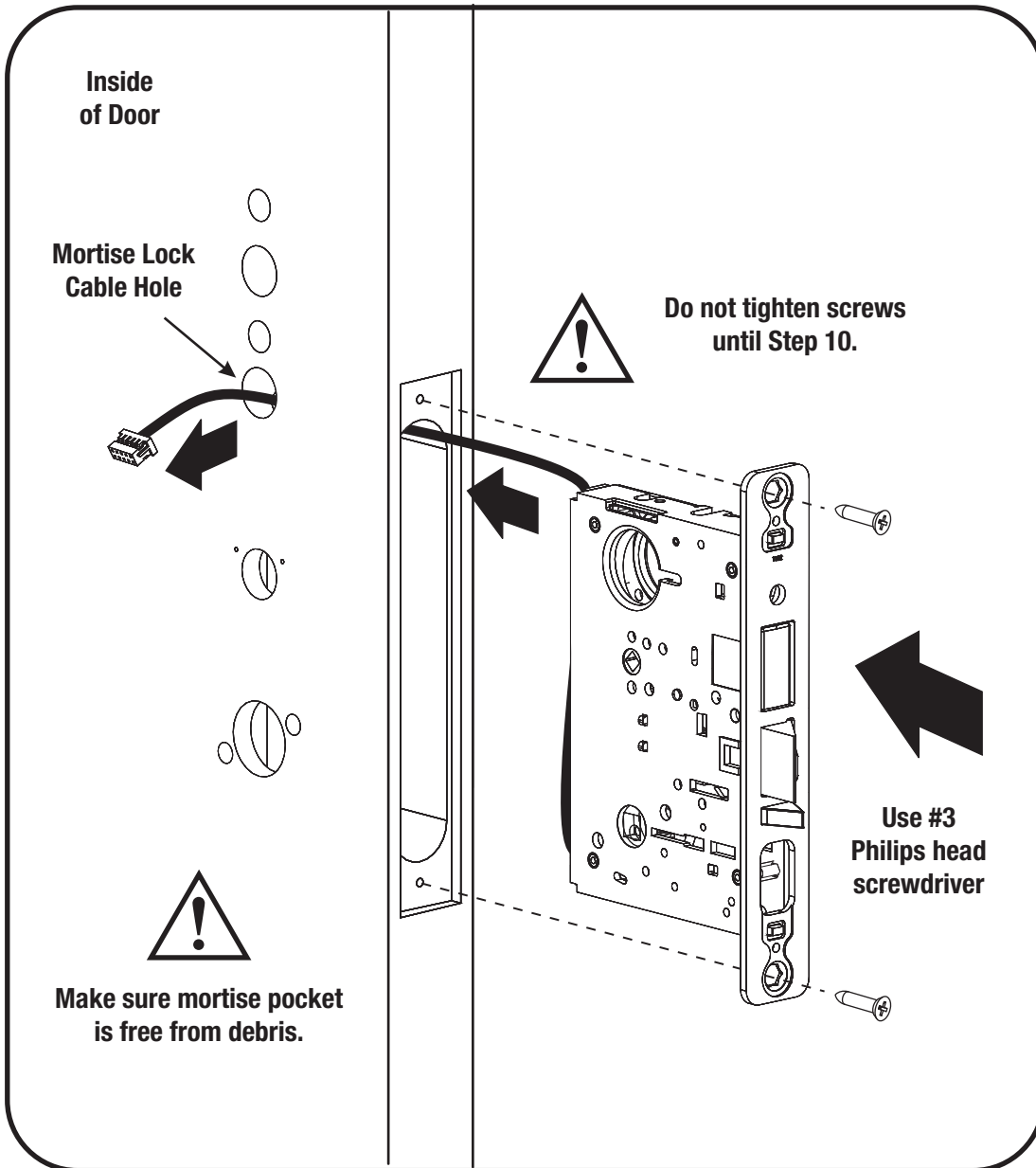
Installing Lockbody



#12-24x1" Flat Head Combo Screw

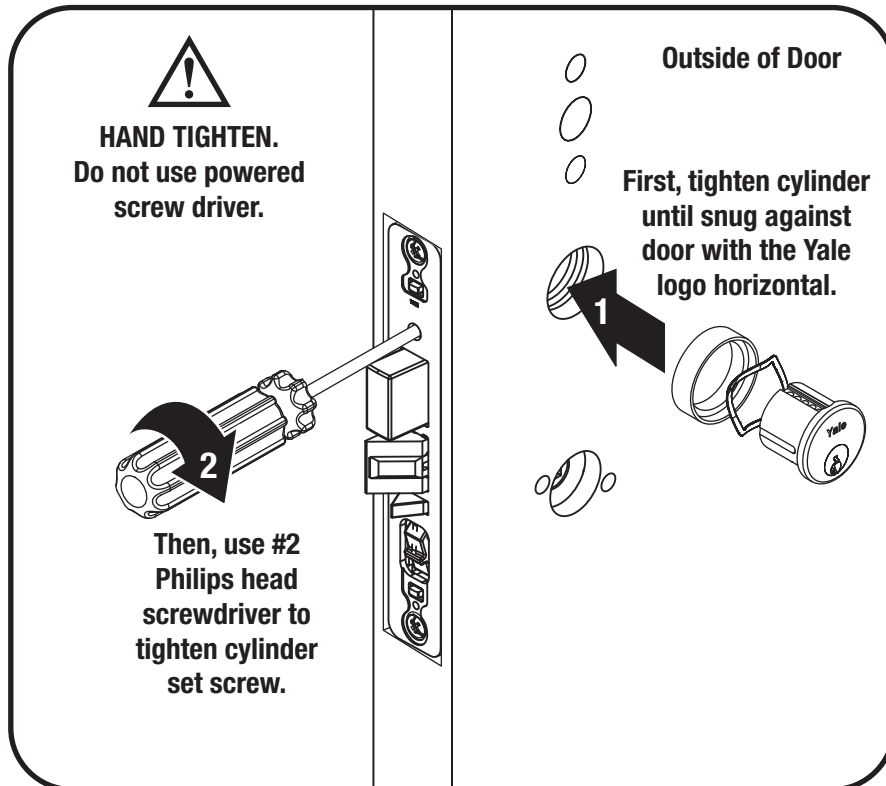
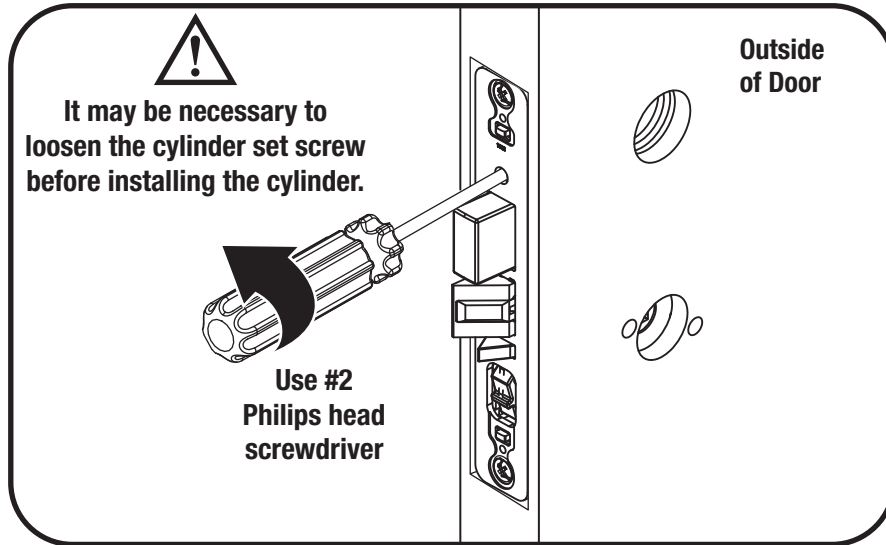


x2



5

Installing Key Cylinder (if applicable) For Cylinder Option ONLY



Test Operation

6

Installing Rose Trim - all types

Adjusting for 1-3/4" to 2-1/4" Door (if necessary)

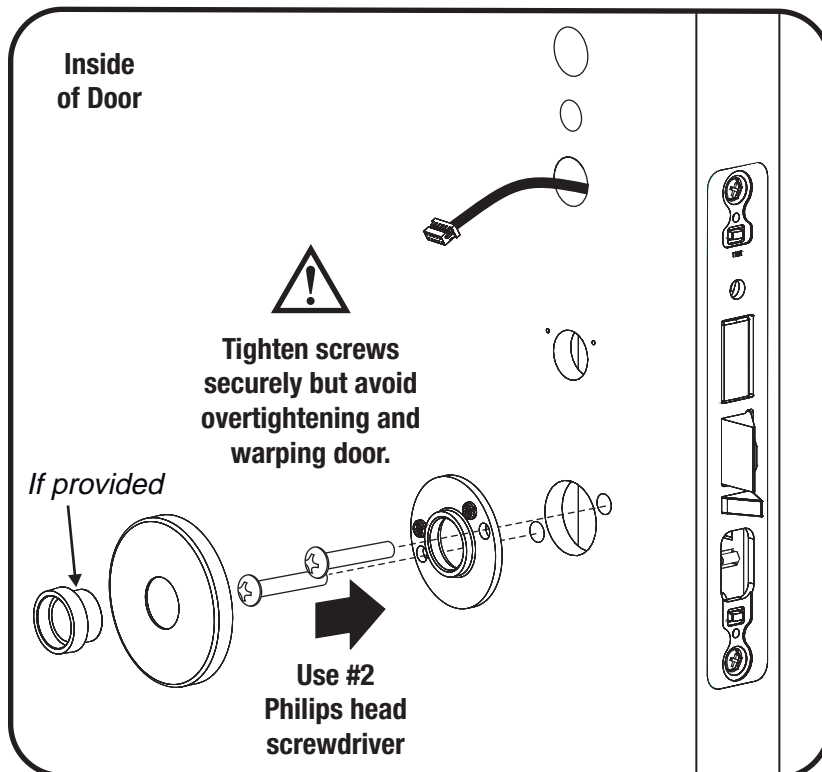
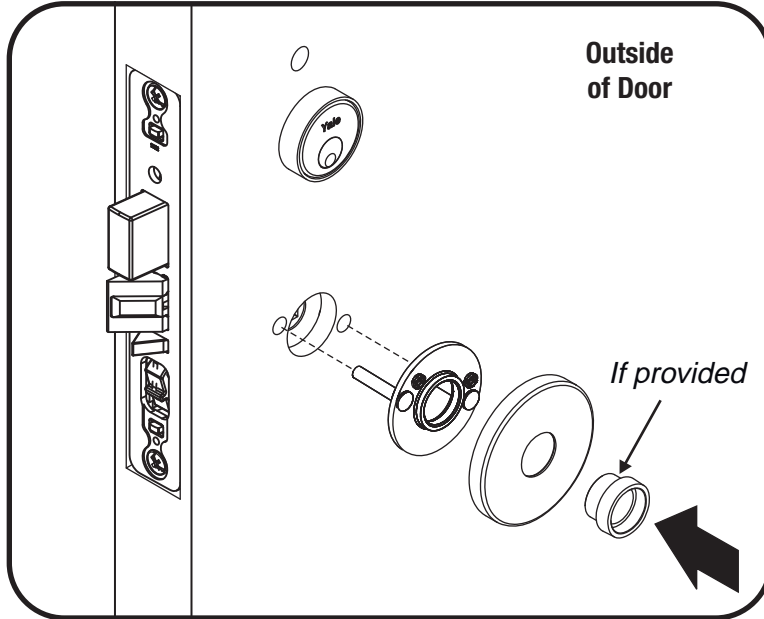


Use screw pack for thicker door at this step.
Use appropriate fastener lengths to ensure proper installation.



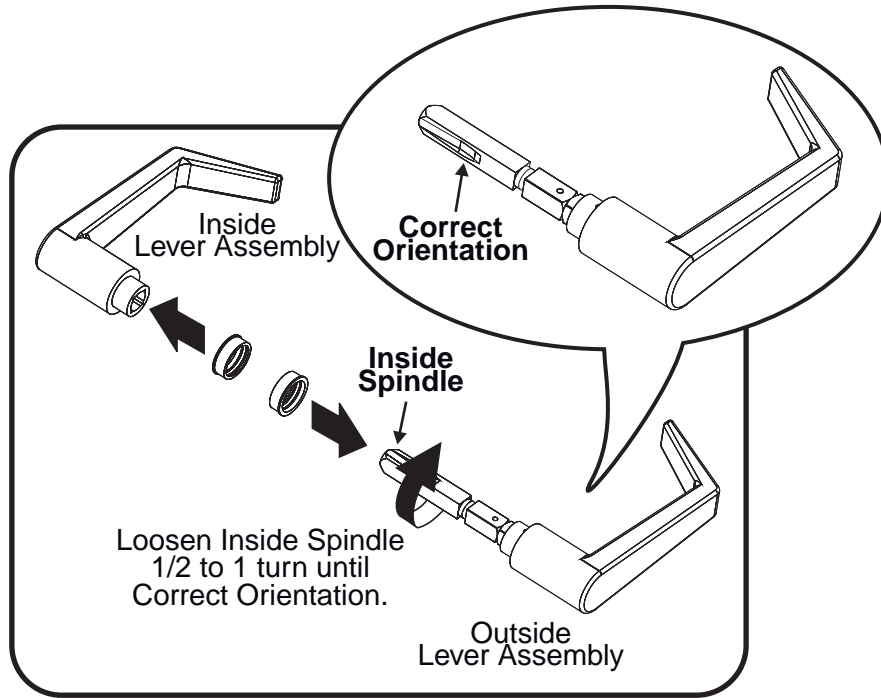
x2

#8-32x1"
Pan Head Screw
with Thread Locker
(For 1-3/4" Door)



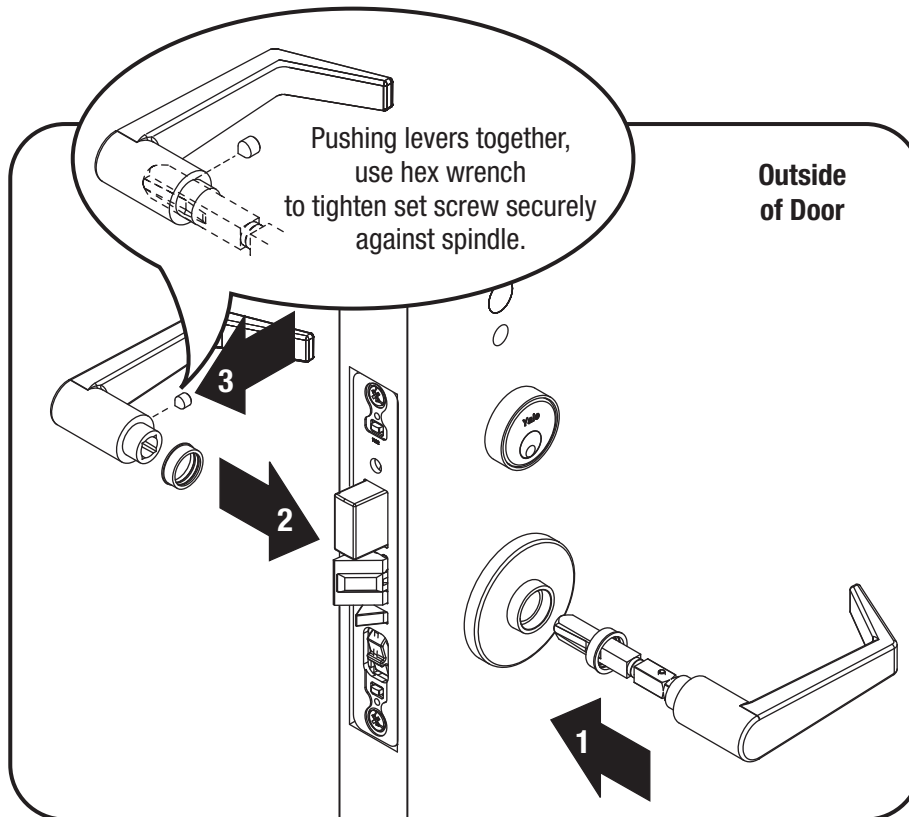
7

Preparing Levers



8

Installing Levers



9

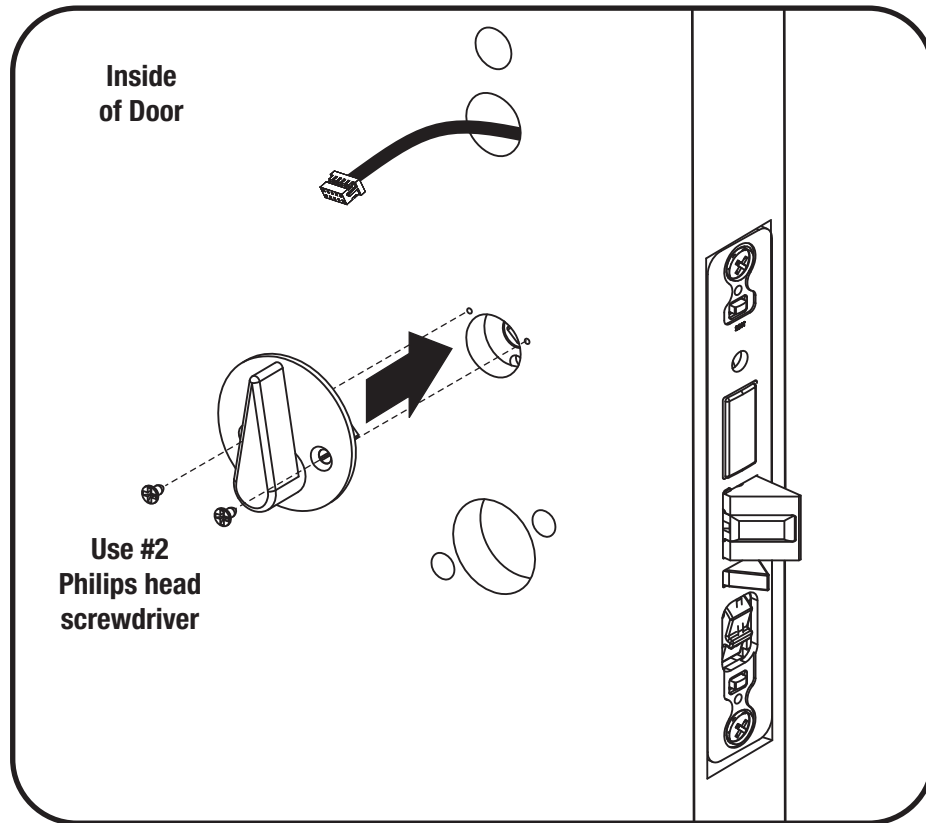
Installing Thumbturn (if applicable) For Deadbolt Option **ONLY**



#6x3/8" Oval Head Screw

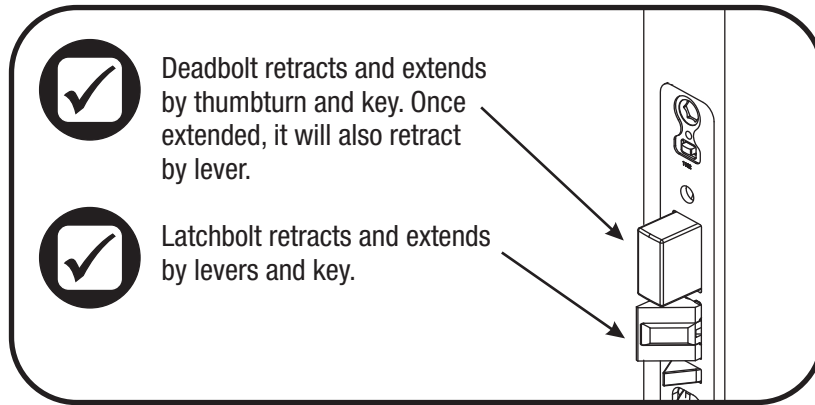


x2



Test Operation

STOP Test Operation



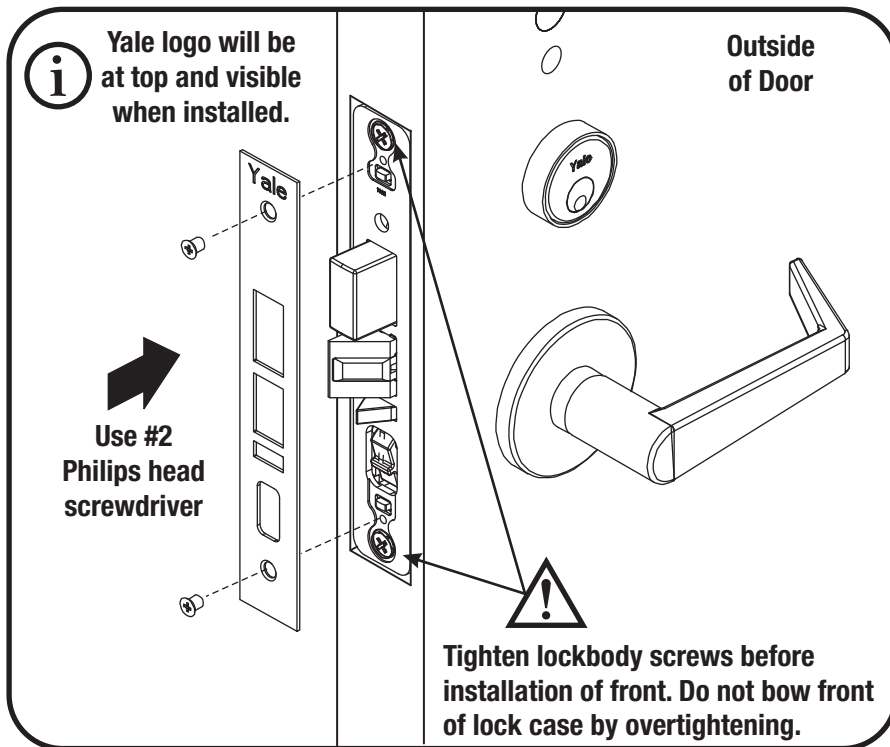
✓ Deadbolt retracts and extends by thumbturn and key. Once extended, it will also retract by lever.

✓ Latchbolt retracts and extends by levers and key.

10 Installing Armor Front

8x32-1/4" Flat Head Screw

x2



i Yale logo will be at top and visible when installed.

Use #2 Philips head screwdriver

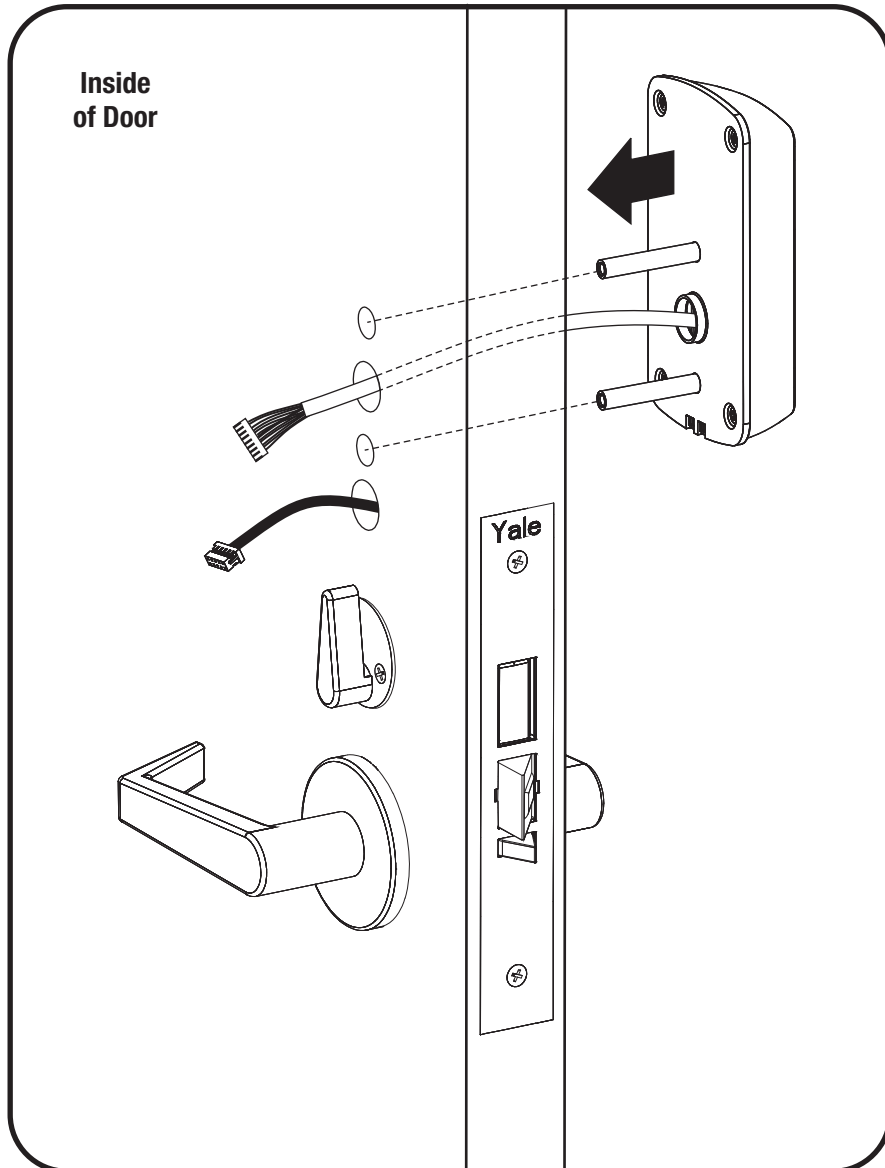
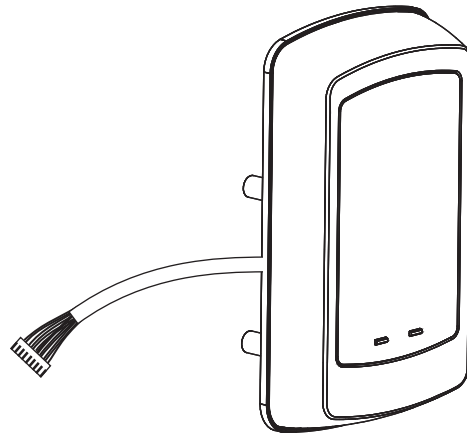
Outside of Door

⚠ Tighten lockbody screws before installation of front. Do not bow front of lock case by overtightening.

STOP Test Operation Again

11

Installing Exterior Escutcheon



12

Installing Interior Mounting Plate



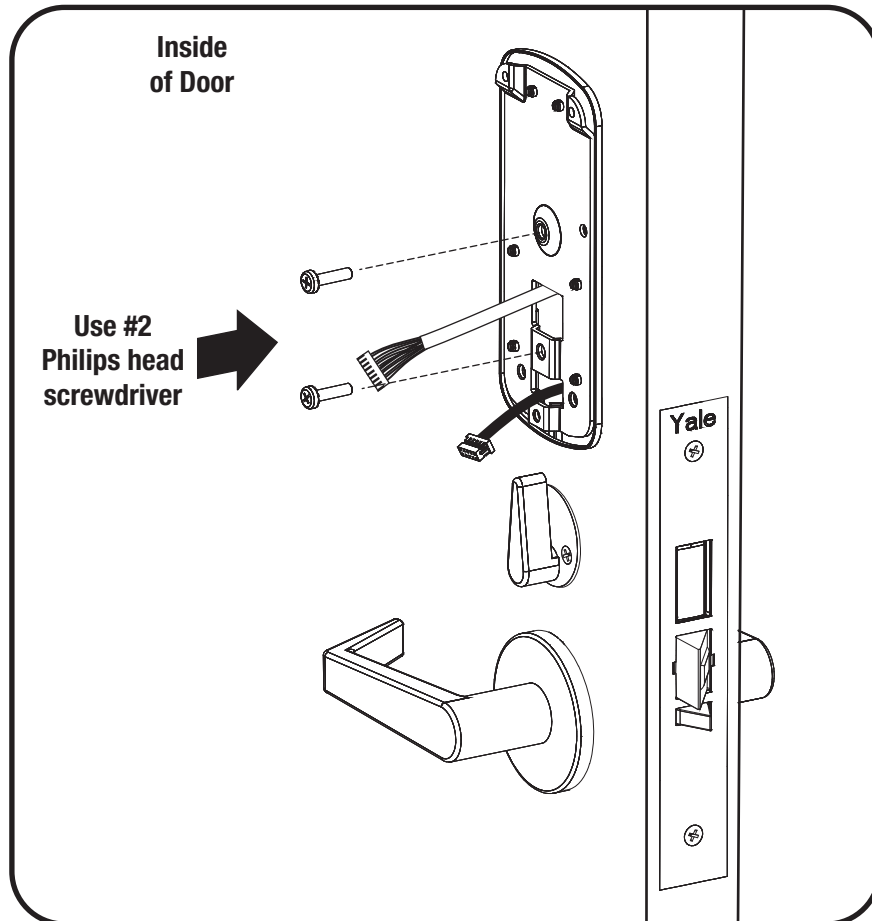
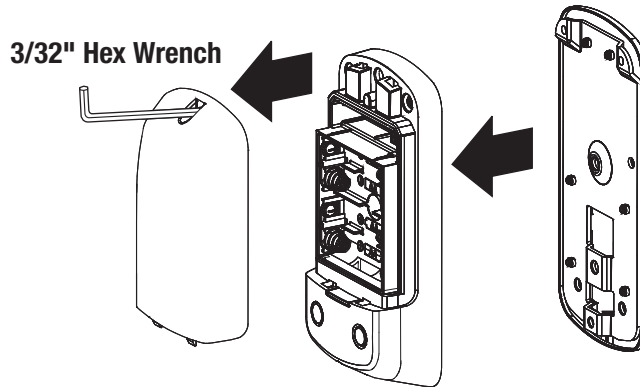
#10-32x3/4" Pan Head Screw with Washer
(For 1-3/4" Door)



x2

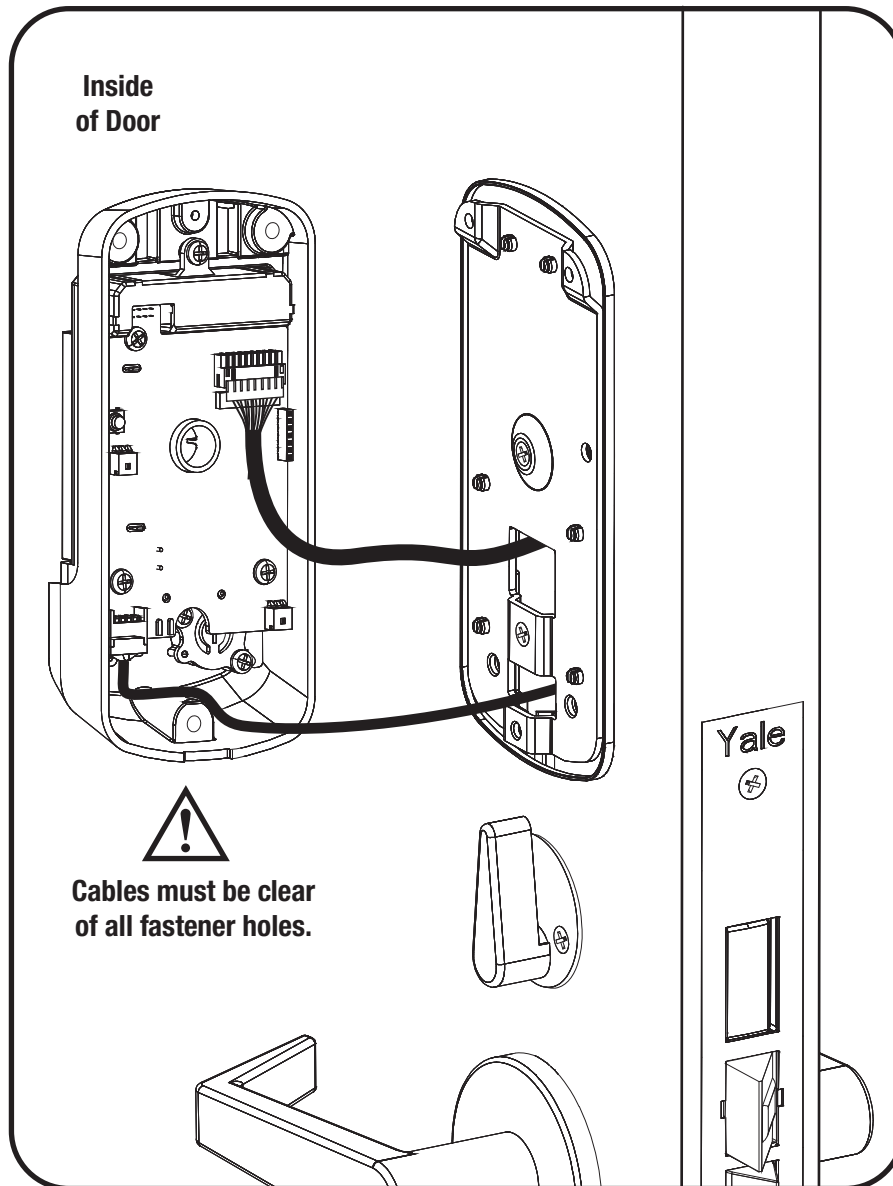


Choose fasteners appropriate for your door thickness.



13

Attaching Cables



14

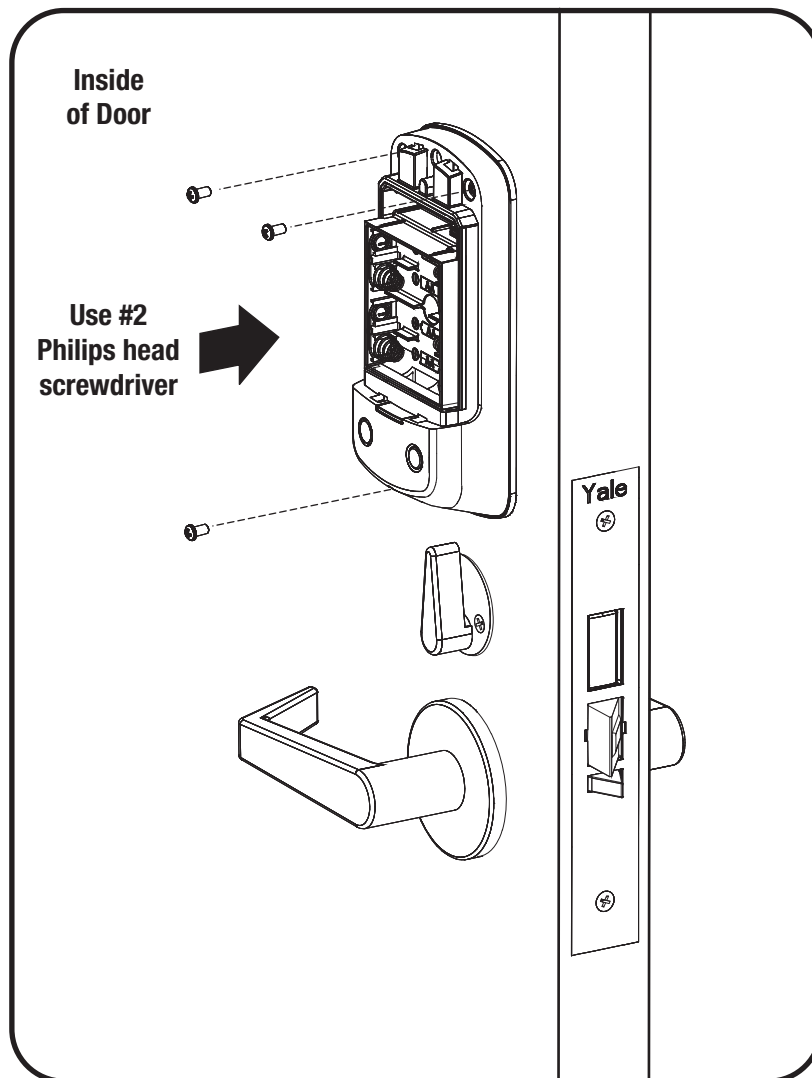
Installing Interior Escutcheon



#8-32x3/8" Pan Head Screw (Black)

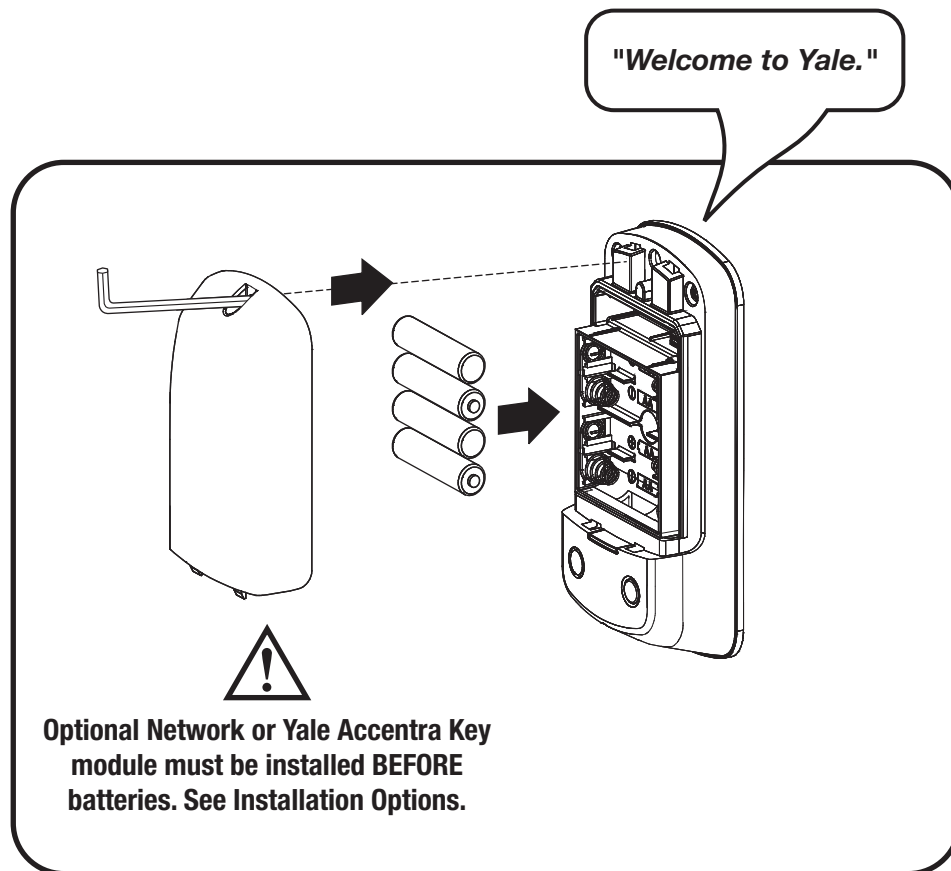


x3



15

Installing Batteries & Cover

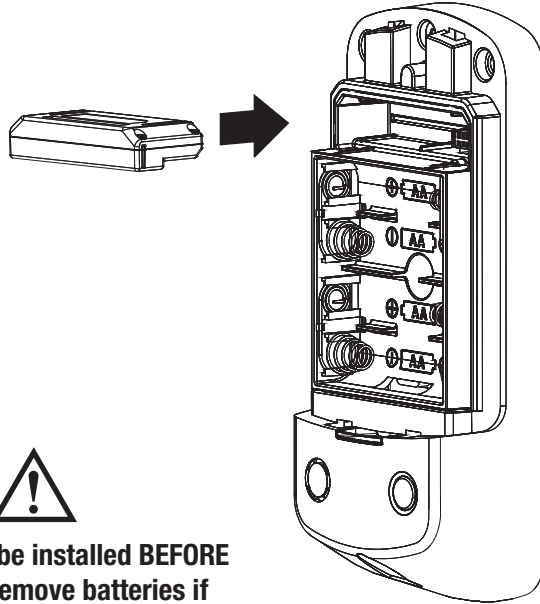


Congratulations, you've installed the Yale nexTouch[®] Sectional Mortise Lock! Continue to customize your product.



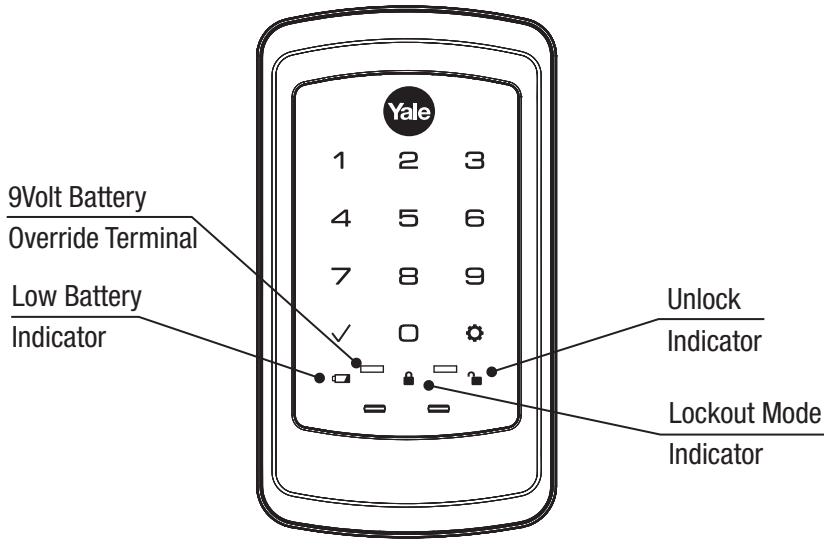
Installation Options

Network or Yale Accentra Key Module

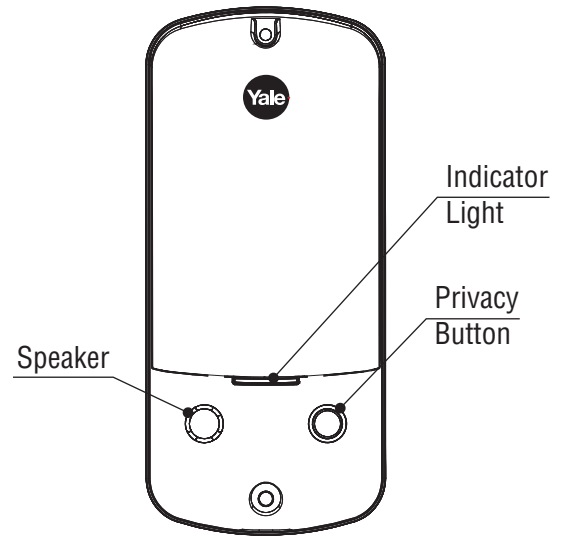


**Module must be installed BEFORE
batteries. Remove batteries if
adding module to existing unit.**

Programming Instructions



Exterior Escutcheon

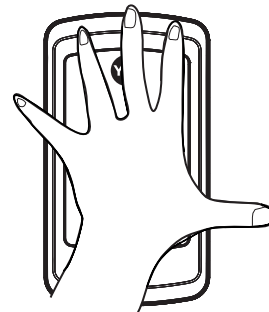


Interior Escutcheon

Lock Activation



OR

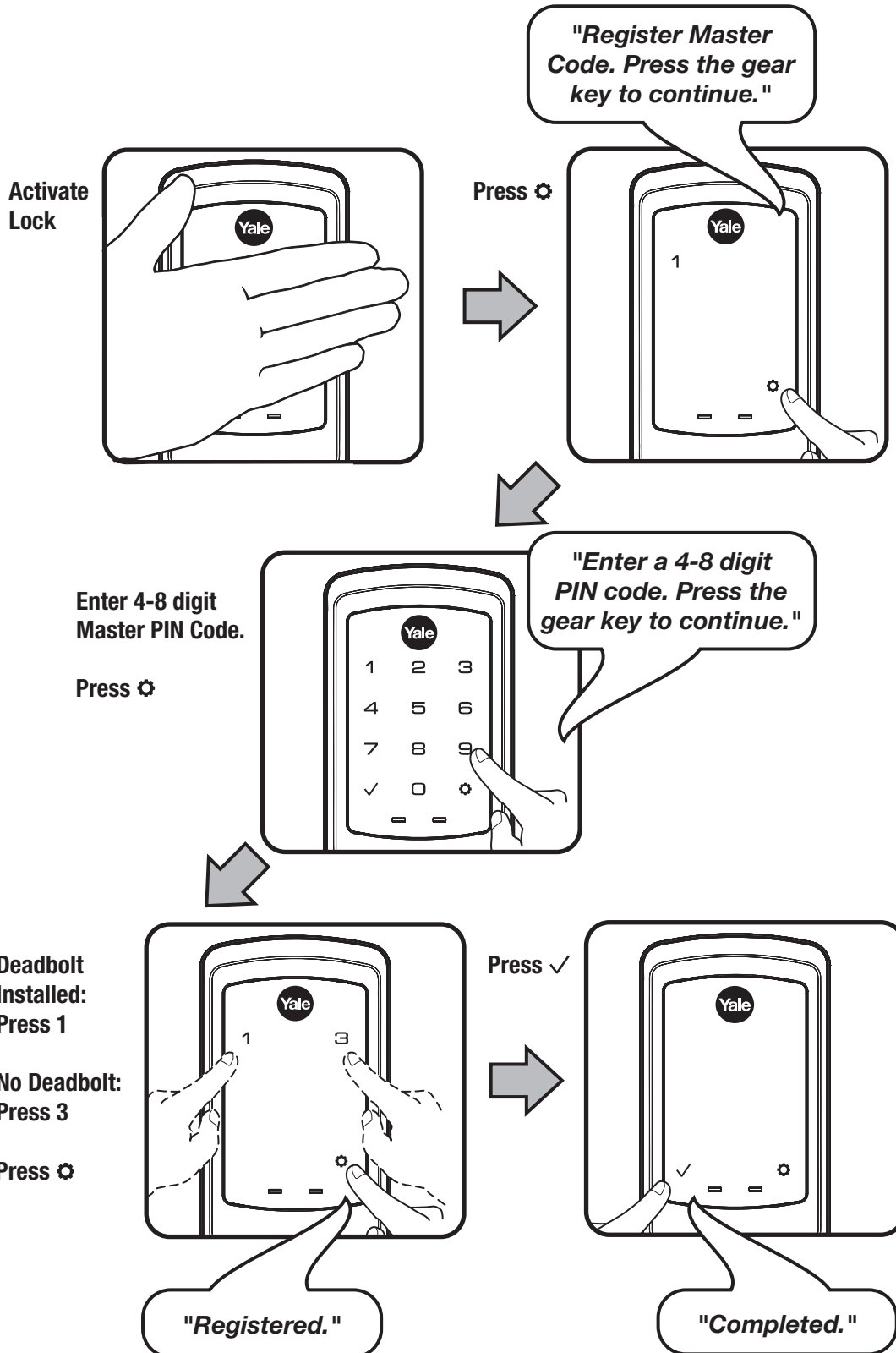


Master PIN Code must be created before any further programming.
Max User Codes = 100 without Radio Module / 500 with Radio Module

1

Creating Master PIN Code

Creating a Master PIN Code must be performed upon installation or after resetting the lock to factory default. Programming and use of lock is not possible until this step has been successfully completed.

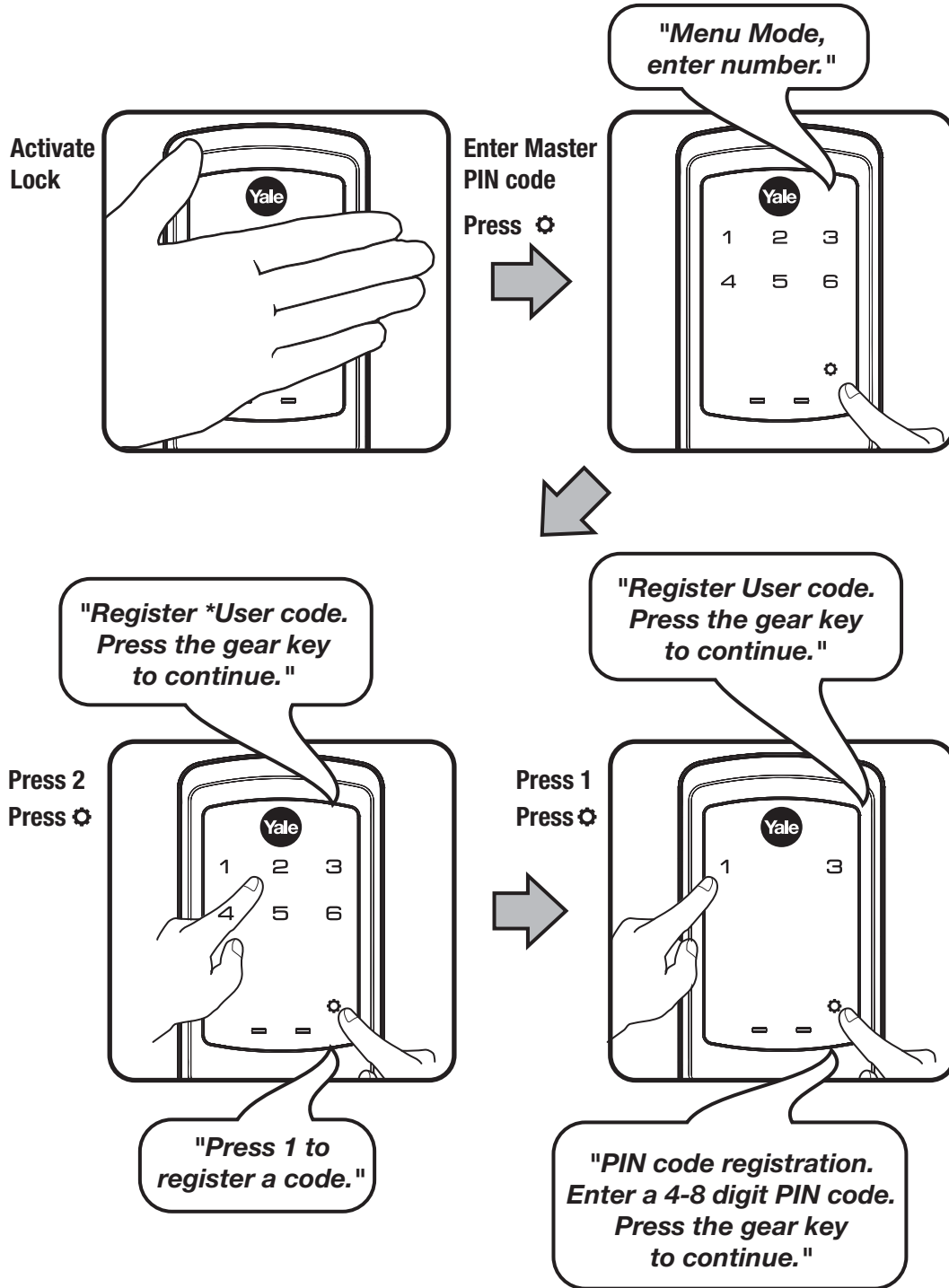


2_a

Creating User PIN Codes

Master PIN code must be created first.

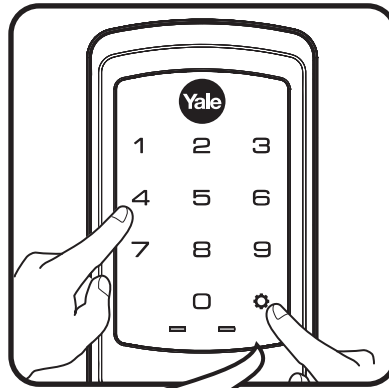
*Max User Codes = 100 without Radio Module / 500 with Radio Module



2_b

Creating User PIN Codes can't

Enter 4-8 digit PIN code followed by ⚙

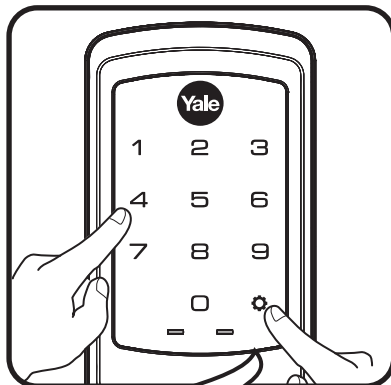


*"Registered.
Press the check key to complete. Press the gear key to continue."*

OR

Adding more User Codes:

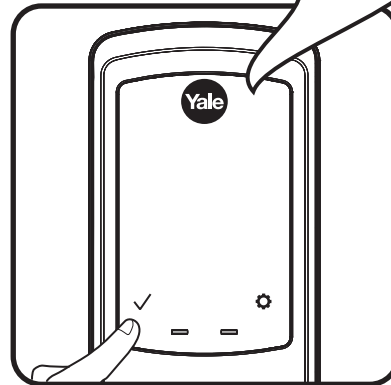
Press ⚙
Enter 4-8 digit PIN code
Press ⚙



*"Registered.
Press the check key to complete. Press the gear key to continue."*

To end programming:

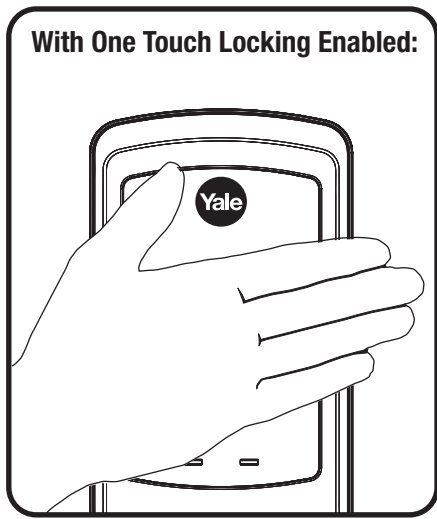
Press ✓



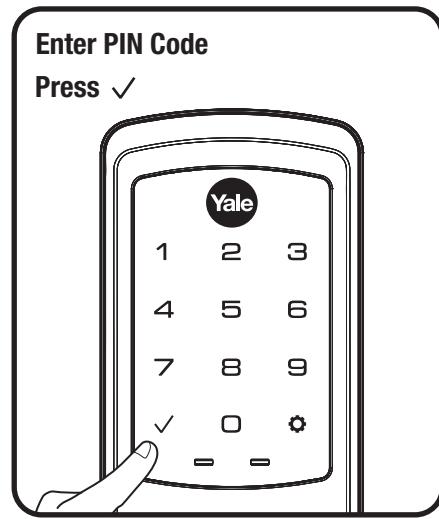
"Completed."

3

Locking & Unlocking Door with Registered Master or User PIN Code

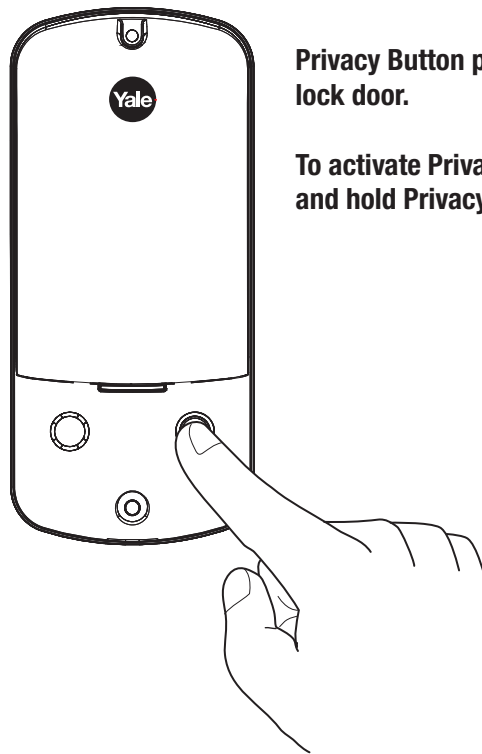


OR



4

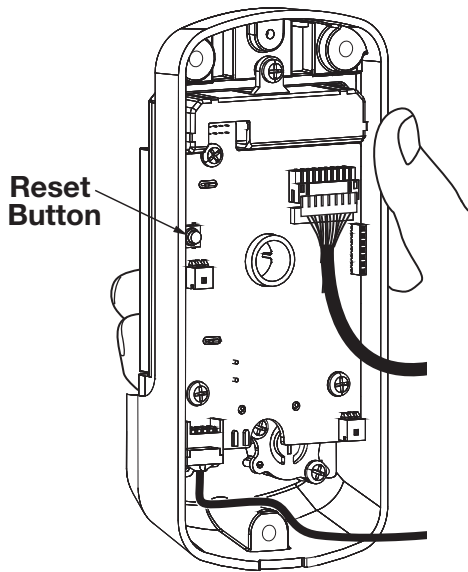
Locking Door with Privacy Button



Privacy Button pressed once will lock door.

To activate Privacy Mode, press and hold Privacy Button.

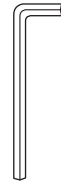
Resetting Lock to Factory Default



Reset Button

Interior Escutcheon

When lock is reset to factory defaults all user codes (including the Master PIN code*) are deleted and all programming features are reset to original default settings (see Factory Settings).



Hex Wrench



#2 Philips Head Screwdriver

IMPORTANT: The outside assembly remains assembled.

1. Remove the battery cover with supplied hex wrench and then remove batteries.
2. Using a #2 Philips head screwdriver, remove the interior escutcheon from the door to access the reset button on back of escutcheon. Cables may stay connected. (See illustration at above for location of the reset button.)
3. Reinstall four (4) AA batteries.
4. Press and hold the reset button for 3 seconds.
5. While continuing to press the reset button, temporarily remove one (1) AA battery.
6. Reinstall the battery.
7. Release reset button and wait approximately 15 seconds. Speaker will announce "Welcome to Yale."
8. Reassemble escutcheon by reversing steps 1-2.

Upon reset, Master PIN Code creation is the only option available and must be performed prior to any other programming of the lock.

Factory Settings

| Settings | Factory Setting |
|------------------------|-------------------------------|
| Master PIN Code | Registration <i>required*</i> |
| All Code Lockout | Disabled |
| Automatic Relock | Disabled |
| Escape Return Mode | Disabled |
| Inside Indicator Light | Enabled |
| Language Setting | English |
| One Touch Locking | Enabled |
| Privacy Button Mode | Disabled |
| Shutdown Time | 60 Seconds |
| Volume Setting | High |
| Wrong Code Entry Limit | 5 Times |

*The Master PIN code must be registered prior to any other programming of the lock.

Definitions

All Code Lockout Mode: This feature is enabled by the Master code. When enabled, it restricts all user (except Master) PIN code access. When attempting to enter a code while the unit is in Lockout, the RED locked padlock will appear on the screen. (Main Menu selection #6.)

Automatic Re-lock Time: After a successful unlock, the unit will re-lock automatically after 5 seconds or for a duration selected in the **Advanced Lock Settings** (Main Menu selection #3 then #1).

Eco Mode: When enabled, Eco Mode puts unit in low power mode extending life of battery.

Escape Return: When locking mode is enabled automatic locking is prohibited. Enabled escape return mode requires doors to be physically manipulated in order for the lock body to be re-locked once door is open from the inside.

Inside Indicator Light: This light will blink red when door is locked.

Language Setting Mode: Choose English (1), Spanish (2) or French (3) for the lock's voice prompts. (Main Menu selection #5.)

Low Battery: When battery power is low, the Low Battery Warning indicator flashes RED. If battery power is completely lost, use the 9Volt battery override. To use the 9V battery override apply 9V battery, in either direction, to terminals on the touchscreen for backup power option. Activate the touchscreen and enter your pin code to unlock the door.

Master PIN Code: The Master PIN code is used for programming and for feature settings. **It must be created prior to programming the lock.** The Master code will also operate (unlock/lock) the lock.

Network Module Setting: With the optional Network Module installed, this setting becomes available (Main Menu selection #7) and allows the lock to connect with a network controller.

One Touch Locking: When the unit is unlocked, activating the touchscreen will lock the unit (during Automatic Re-lock duration or when Automatic Re-lock is disabled). When One-Touch Re-lock is **not** in use (**disabled**), any valid PIN code will re-lock the lock. (Main Menu selection #3 then #3.)

Passage Mode: Lock will remain unlocked/open. Lock cannot be locked/secured until passage mode is disabled.

Privacy Button to Lock Door: If Automatic Re-lock is disabled, a short 1 second press of this button will lock the door.

Privacy Button Mode: With optional Door Position Switch installed, Privacy Mode enabled thru Menu Mode and door closed, all keypad functions can be disabled with a 3 second press of the Privacy Button. Privacy Button Mode is disabled by default. Enable Privacy Button Mode thru Main Menu selection #3 then #4. With door closed, press and hold the privacy button until voice prompt indicates Privacy Button Mode is enabled. Privacy Button Mode duration ends when door is opened and voice prompt indicates Privacy Button Mode is disabled.

Shut Down Time: The unit will shut down for sixty (60) seconds and not allow operation after the wrong code entry limit (5 attempts) has been met. When the unit is in Shut down, the keypad will be flashing.





Tamper Alert: Audible alarm sounds if attempting to forcibly remove outside lock from door.

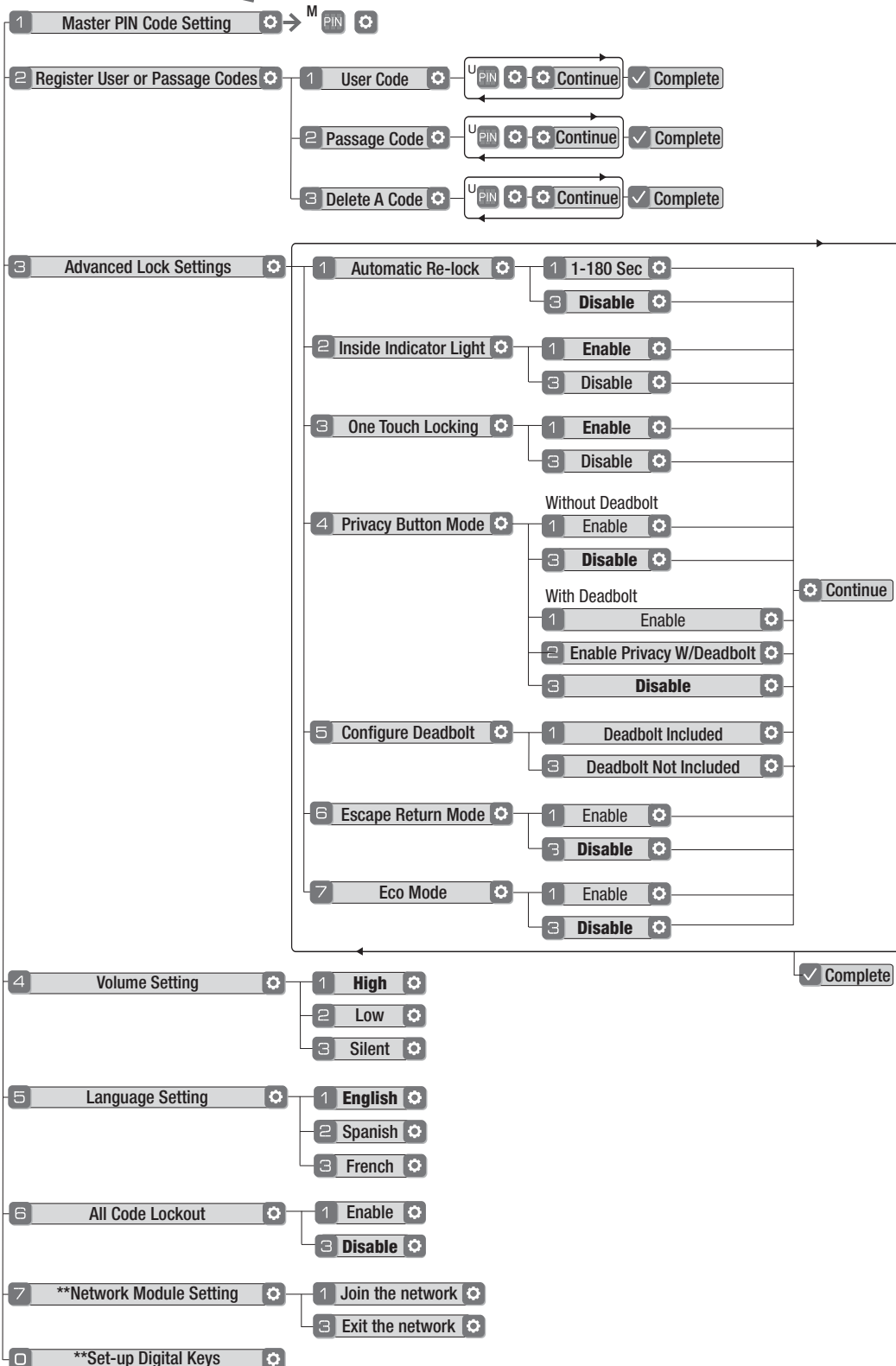
User PIN Code: The User code operates the lock. Maximum number of user codes is 500.

Volume Setting Mode: The volume setting for PIN code verification is set to **HIGH (1)** by default; otherwise it can be set to **Low (2)** or **Silent (3)** for quiet areas. (Main Menu selection #4.)

Wrong Code Entry Limit: After five (5) unsuccessful attempts at entering a valid PIN code, the unit will shut down and not allow operation. When the unit is in Shut Down, the keypad will be flashing.

Feature Programming Through Menu Mode Using Master PIN code*

1. Touch screen with back of hand or palm to activate. 
2. Enter 4-8 digit master PIN code* followed by  key.
Lock Response: "Menu mode, enter number (Enter digit corresponding to the function to be performed), press the  key to continue."
3. Follow the voice commands.
4. Press  key to complete the process and conclude the programming session.



Default settings
in **bold**.

***The Master PIN code must be registered prior to any other programming of the lock.**

**This function appears only with Network or Yale Accentra Key module installed.

Programming Troubleshooting

| Symptom | Suggested Action |
|---|--|
| Lock does not respond – door is open and accessible. | <ul style="list-style-type: none"> • Touchscreen becomes active when pressed w/whole hand. Use a larger area of the hand or fingers and verify contact with at least 3 areas. • If touchscreen numbers are visible, check to see if they respond when pressed. • Check batteries are installed and oriented correctly (polarity) in the battery case. • Check batteries are in good condition; replace batteries if discharged. • Check to see if touchscreen cable is fully connected and not pinched. |
| Lock does not respond – door is locked and inaccessible. | <ul style="list-style-type: none"> • Batteries may be completely discharged. • Apply 9V battery to terminals on the touchscreen for emergency power jump option. |
| Unit is on for a while then shows no reaction. Lights dim. | <ul style="list-style-type: none"> • Batteries do not have enough power. Replace batteries. |
| Unit chimes to indicate code acceptance, but the door will not open. | <ul style="list-style-type: none"> • Check for another locking device on the door (i.e. deadbolt). • Check the door gaps for any foreign objects between door and frame. • Check that the motor cable is firmly connected into the PC board marked "MOTOR". • Check that the locking slide moves freely and there is no foreign material in mortise pocket. |
| Unit operates to allow access, but will not automatically re-lock. | <ul style="list-style-type: none"> • Check to see if Auto Re-lock Mode is enabled. • If low battery indicator is lit (see below), change batteries. |
| PIN codes will not register. | <ul style="list-style-type: none"> • PIN codes must consist of 4 to 8 digits to register. • The same PIN code cannot be used for multiple users. • Registration/management of PIN codes is set by the authority of the Master Code, which is set first. • Contact the Master user. • User codes must be entered within 20 seconds (while touchscreen is active) or process will have to be restarted. • Check ✓ or gear ⚙ cannot be used as part of the PIN code. |
| Upon entering a PIN code and pressing ✓ key, the unit displays "invalid code" error or lock times out without responding. | <ul style="list-style-type: none"> • Check to see if All Code Lockout Mode is enabled. • Only the Master can enable/disable Lockout Mode. Contact the Master user. |
| Upon entering a PIN code and pressing the ✓ key, the red padlock icon appears and there are different tones. | <ul style="list-style-type: none"> • Check to see if All Code Lockout Mode is enabled. • Only the Master can enable/disable Lockout Mode. Contact the Master user. |
| The unit operates, but it makes no sound. | <ul style="list-style-type: none"> • Check to see if Volume is set to Silent. |
| The unit responds "Low Battery" | <ul style="list-style-type: none"> • This is the alert to replace the batteries. Replace all four (4) batteries with new AA Alkaline batteries. |
| Upon entering a PIN code and pressing the ✓ key, the unit responds "Wrong number of digits". | <ul style="list-style-type: none"> • The digits entered were incorrect or incomplete. Re-enter 4-8 digits followed by the check ✓ key. |
| Lock will not enter privacy mode. | <ul style="list-style-type: none"> • Check to see if enabled. • Make sure door gap is correct. • Hold the privacy button longer. |

NOTE: When batteries are replaced, Network Module locks have a real time clock that will be set through the User Interface (UI); it is recommended to verify correct date and time particularly those locks operating under Daylight Saving Time (DST).

FCC:

NOTE: This equipment has been tested and found to comply with the limits for a Class B digital device, pursuant to part 15 of the FCC Rules. These limits are designed to provide reasonable protection against harmful interference in a residential installation. This equipment generates, uses and can radiate radio frequency energy and, if not installed and used in accordance with the instructions, may cause harmful interference to radio communications. However, there is no guarantee that interference will not occur in a particular installation. If this equipment does cause harmful interference to radio or television reception, which can be determined by turning the equipment off and on, the user is encouraged to try to correct the interference by one or more of the following measures:

- Reorient or relocate the receiving antenna.
- Increase the separation between the equipment and receiver.
- Connect the equipment into an outlet on a circuit different from that to which the receiver is connected.
- Consult the dealer or an experienced radio/ TV technician for help.

Warning: Changes or modifications to this device, not expressly approved by **Yale Security Inc.** could void the user's authority to operate the equipment.

Industry Canada:

This device complies with Industry Canada licence-exempt RSS standard(s). Operation is subject to the following two conditions: (1) this device may not cause interference, and (2) this device must accept any interference, including interference that may cause undesired operation of the device.

Le présent appareil est conforme aux CNR d'Industrie Canada applicables aux appareils radio exempts de licence. L'exploitation est autorisée aux deux conditions suivantes: (1) l'appareil ne doit pas produire de brouillage, et (2) l'utilisateur de l'appareil doit accepter tout brouillage radioélectrique subi, même si le brouillage est susceptible d'en compromettre le fonctionnement.

IMPORTANT! Tous les changements ou modifications pas expressément approuvés par la partie responsable de la conformité ont pu vider l'autorité de l'utilisateur pour actionner cet équipement.

For easy 3D instructions,
download the BILT
mobile app

**Yale Locks & Hardware**

Product Support Tel 800.810.WIRE (9473)

www.yalelocks.com

Yale Locks & Hardware is a division of
Yale Security Inc., an ASSA ABLOY Group company.

Copyright © 2018, Yale Security Inc., an ASSA ABLOY Group company.
All rights reserved. Reproduction in whole or in part without the express written permission
of Yale Security Inc. is prohibited.

YALE, with its unique global reach and range of products, is the world's favorite lock
— the preferred solution for securing your home, family and personal belongings.

ASSA ABLOY is the global leader in door opening solutions,
dedicated to satisfying end-user needs for security, safety and convenience.



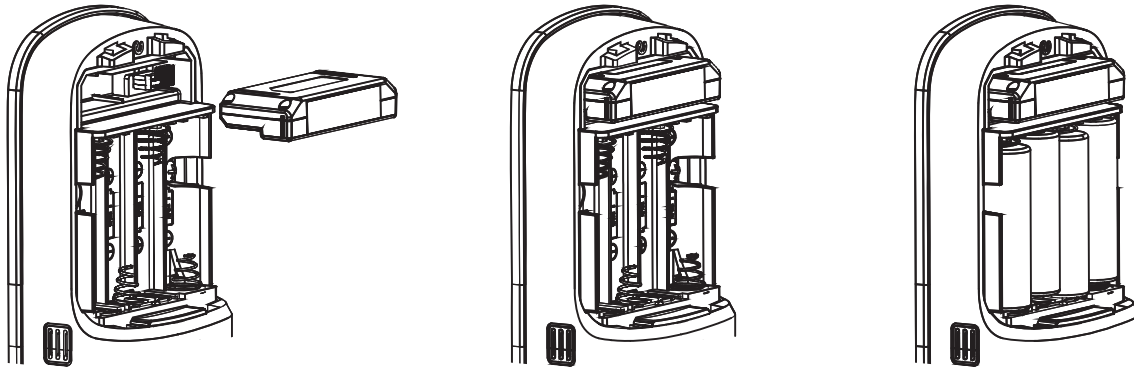
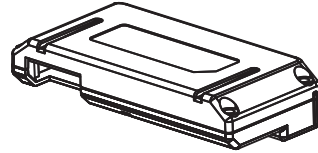
Yale
real Living®

Yale Real Living® Z-Wave® Plus Module Installation and Programming Instructions

Installing the Z-Wave® Plus Module

IMPORTANT: the batteries must be removed prior to removing and/or inserting the network module:






- Remove battery cover and batteries.
- Remove and/or insert Network Module.
- Reinstall batteries and battery cover.








Adding / Removing the Network Module:

This device is a security enabled Z-Wave Plus product that is able to use encrypted Z-Wave Plus messages to communicate to other security enabled Z-Wave Plus products. This device must be used in conjunction with a Security Enabled Z-Wave Controller in order to fully utilize all implemented functions. This product can be operated in any Z-Wave network with other Z-Wave certified devices from other manufacturers. All non-battery operated nodes within the network will act as repeaters regardless of vendor to increase reliability of the network.

To Add the Module (Inclusion Mode):

- Enter the 4-8 digit Master PIN code followed by the  key.
- Press the  key followed by the  key.
- Press the  key followed by the  key.

To Remove the Module (Exclusion Mode):

- Enter the 4-8 digit Master PIN code followed by the  key.
- Press the  key followed by the  key.
- Press the  key followed by the  key.

Factory Reset - If No Controller:

- See the Lock Installation Manual
- Please use this procedure only when the network primary controller is missing or otherwise inoperable.

For specific Z-Wave Plus association and parameter information for your lock, please visit YaleResidential.com/ZwavePlus



Warning: Changes or modifications to this device, not expressly approved by Yale Security Inc. could void the user's authority to operate the equipment.

FCC:

Contain FCC ID: U4A-YRHCPZWOFM

Model: YRMZW2-US

This equipment has been tested and found to comply with the limits for a Class B digital device, pursuant to Part 15 of the FCC Rules. These limits are designed to provide reasonable protection against harmful interference in a residential installation. This equipment generates, uses, and can radiate radio frequency energy and, if not installed and used in accordance with the instructions, may cause harmful interference to radio communications. However, there is no guarantee that interference will not occur in a particular installation. If this equipment does cause harmful interference to radio or television reception, which can be determined by turning the equipment off and on, the user is encouraged to try to correct the interference by one or more of the following measures:

- Reorient or relocate the receiving antenna.
- Increase the separation between the equipment and receiver.
- Connect the equipment into an outlet on a circuit different from that to which the receiver is connected.
- Consult the dealer or an experienced radio/TV technician for help.

THIS DEVICE COMPLIES WITH PART 15 OF THE FCC RULES. OPERATION IS SUBJECT TO THE FOLLOWING TWO CONDITIONS.

(1) THIS DEVICE MAY NOT CAUSE HARMFUL INTERFERENCE, AND (2) THIS DEVICE MUST ACCEPT ANY INTERFERENCE RECEIVED, INCLUDING INTERFERENCE THAT MAY CAUSE UNDESIRE OPERATION.

Industry Canada:

Contain IC: 6982A-YRHCPZWOFM

Model: YRMZW2-US

Section 7.1.2 of RSS-GEN Under Industry Canada regulations, this radio transmitter may only operate using an antenna of a type and maximum (or lesser) gain approved for the transmitter by Industry Canada. To reduce potential radio interference to other users, the antenna type

and its gain should be so chosen that the equivalent isotropically radiated power (e.i.r.p.) is not more than that necessary for successful communication.

En vertu des règlements d'Industrie Canada, cet émetteur radio ne peut fonctionner avec une antenne d'un type et un maximum (ou moins) approuvés pour gagner de l'émetteur par Industrie Canada. Pour réduire le risque d'interférence aux autres utilisateurs, le type d'antenne et son gain doivent être choisies de façon que la puissance isotrope rayonnée équivalente (PIRE) ne dépasse pas ce qui est nécessaire pour une communication réussie.

Section 7.1.3 of RSS-GEN This Device complies with Industry Canada License-exempt RSS standard(s).

Operation is subject to the following two conditions: 1) this device may not cause interference, and 2) this device must accept any interference, including interference that may cause undesired operation of the device.

Cet appareil est conforme avec Industrie Canada RSS standard exemptes de licence(s). Son fonctionnement est soumis aux deux conditions suivantes: 1) ce dispositif ne peut causer des interférences, et 2) cet appareil doit accepter toute interférence, y compris les interférences qui peuvent causer un mauvais fonctionnement du dispositif.

This radio transmitter 6982A-YRHCPZWOFM has been approved by Industry Canada to operate with the antenna types listed below with the maximum permissible gain indicated. Antenna types not included in this list, having a gain greater than the maximum gain indicated for that type, are strictly prohibited for use with this device.

Le présent émetteur radio 6982A-YRHCPZWOFM a été approuvé par Industrie Canada pour fonctionner avec les types d'antenne énumérés ci-dessous et ayant un gain admissible maximal. Les types d'antenne non inclus dans cette liste, et dont le gain est supérieur au gain maximal indiqué, sont strictement interdits pour l'exploitation de l'émetteur.

CAN ICES-3B/NMB-3B

Yale Locks & Hardware

Product Support Tel 800.810.WIRE (9473) • www.yalelocks.com

Yale Locks & Hardware is a division of Yale Security Inc., an ASSA ABLOY Group company.

Copyright © 2016, Yale Security Inc., an ASSA ABLOY Group company.

All rights reserved. Reproduction in whole or in part without the express written permission of Yale Security Inc. is prohibited.

YALE, with its unique global reach and range of products, is the world's favorite lock
– the preferred solution for securing your home, family and personal belongings.

ASSA ABLOY is the global leader in door opening solutions,
dedicated to satisfying end-user needs for security, safety and convenience.

Yale Locks

Z-Wave+ System Integrators Guide

Yale nexTouch Sectional Mortise Keypad Lock

NTM 610/615/620/625/630/635/640/645

Contents

Yale Z-Wave+ Info 3

Supported Command Classes 3

Association Table 4

Notifications Table 4

Configurable Parameters 7

Yale Z-Wave+ Info

Manufacturer ID: Assa Abloy (0x0129)

Z-Wave Device Type: Door Lock Keypad

Z-Wave Role Type: Listening Sleeping Slave (LSS)

Product ID: 0x0A00

Product Type ID:

0x8008 – NTM620/625/640/645-ZW2 (Touch Screen interface)

0x8008 – NTM610/615/630/635-ZW2 (Push Button Interface)

Supported Command Classes

Command Class Z-Wave+ Info
Command Class Manufacturer Specific
Command Class Security
Command Class Device Reset Locally
Command Class Power Level
Command Class Version
Command Class Battery*
Command Class Door Lock*
Command Class Door Lock Logging*
Command Class Schedule Entry Lock*
Command Class User Code*
Command Class Time Parameters*
Command Class Time*
Command Class Association*
Command Class Association Group Info*
Command Class Notification*
Command Class Configuration*
Command Class Firmware Update Md*

* Command Class Requires Security

Association Table

| Group ID | Maximum Nodes | Description | Commands |
|----------|---------------|-------------|---|
| 1 | 5 | Lifeline | Command_Class_Battery, Battery_Report ; Command_Class_Notification, Notification_Report; Command_Class_Configuration, Configuration_Report; Command_Class_Device_reset_locally, Device_Reset_locally_notification |

Notifications Table:

| <u>Alarm Reports</u> | <u>Alarm type</u> | <u>Alarm Level</u> | <u>Description</u> | <u>Notification Type</u> | <u>Event</u> |
|----------------------|-------------------|--------------------|--|--------------------------|--------------|
| Master Code changed. | 0x70 | 0x00 | Master code was changed at keypad | 0x06 | 0x12 |
| | | 0xFB | Master code was changed over RF | 0x06 | 0x0E |
| User added | | 0x(01-max users) | User added. Alarm level = user slot number | 0x06 | 0x0E |
| User deleted | 0x21 | 0x(01-max users) | User was deleted. Alarm level = user slot number | 0x06 | 0x0D(0x0C) |
| Tamper Alarm | 0xA1 | 0x01 | keypad attempts exceed code entry limit | 0x06 | 0x10 |
| | | 0x02 | front escutcheon removed from main | 0x06 | 0xFE |
| RF Operate Unlock | 0x19 | 0x01 | by RF module | 0x06 | 0x04 |
| Keypad Unlock | 0x13 | 0x(01-max users) | Where Alarm level represents user slot number (0xFB = Master Code) | 0x06 | 0x06 |
| Manual Lock | 0x15 | 0x01 | by key cylinder or inside thumb-turn | 0x06 | 0x01 |
| | | 0x02 | by touch function (lock and leave) | 0x06 | 0x01 |
| | | 0x03 | By inside button | 0x06 | 0x01 |

| | | | | | |
|------------------------------------|------|---------------------|--|------|------|
| RF Operate Lock | 0x18 | 0x01 | by RF module | 0x06 | 0x03 |
| Keypad Lock | 0x12 | 0x (01 - max users) | Where Alarm level represents user slot number | 0x06 | 0x05 |
| Non Access | 0x26 | 0x(01-max users) | A Non Access Code was entered at the lock. Where alarm level represents user slot number | 0x06 | 0xFE |
| Low Battery Alarms** | 0xA8 | 0x (Current %) | Critical Battery Level (Starting at 4.6V) | 0x08 | 0x0B |
| | 0xA7 | 0x (Current %) | Low Battery (Starting at 4.4V) | 0x08 | 0x0A |
| Auto Lock Operate Locked | 0x1B | 0x01 | Auto re-lock cycle complete, locked. | 0x06 | 0x09 |
| Duplicate Pin-code error | 0x71 | 0x (01-max users) | Where Alarm level represents user slot number Alarm generated in response to add user RF cmd. This alarm is not generated when attempting to add duplicate pin at the keypad. The lock simply denies it and plays the “Denied” . Trying to duplicate the master code will result in a 0x71 0x00 alarm report. | 0x06 | 0x0F |
| RF Module Power Cycled | 0x82 | 0x00 | Power to RFM was restored, sent by RF module. The lock doesn't send any alarm to the RF module when power is cycled. | 0x08 | 0x01 |
| Disabled user entered at keypad | 0x83 | 0x(01-max users) | A disabled user pin code was entered at the keypad | 0x06 | 0xFE |
| Valid user but outside of schedule | 0x84 | 0x(01-max users) | A valid user can be both a normal user and a Non-Access user. If a non-access | 0x06 | 0xFE |

| | | | | | |
|---|------|------------------|--|------|------|
| | | | user is out of schedule this alarm will be sent instead of the non-access alarm. | | |
| Door Position Sensor | 0x2B | 0x00 | Door Opened | 0x06 | 0x16 |
| | | 0x01 | Door Closed | 0x06 | 0x17 |
| | | 0x02 | Door Propped (Door Open for longer than configurable door propped time) | 0x06 | 0xFE |
| Daily Repeating Schedule Set/Erased | 0x60 | 0x(01-max users) | Schedule(s) has been set/erased for specified user ID | 0x06 | 0xFE |
| Daily Repeating Schedule Enabled/Disabled | 0x61 | 0x(01-max users) | Schedule(s) has been enabled/disabled for specified user ID | 0x06 | 0xFE |
| Year Day Schedule Set/Erased | 0x62 | 0x(01-max users) | Schedule(s) has been set/erased for specified user ID | 0x06 | 0xFE |
| Year Day Schedule Enabled/Disabled | 0x63 | 0x(01-max users) | Schedule(s) has been enabled/disabled for specified user ID | 0x06 | 0xFE |
| All Schedule Types Erased | 0x64 | 0x(01-max users) | Schedule(s) has been set/erased for specified user ID | 0x06 | 0xFE |
| All Schedule Types Enabled/Disabled | 0x65 | 0x(01-max users) | Schedule(s) has been enable/disabled for specified user ID | 0x06 | 0xFE |
| Deadbolt Secured/Unsecured | 0x2A | 0x0000 | Deadbolt Secure | 0x06 | 0xFE |
| | | 0x0001 | Deadbolt Extended/Secured | 0x06 | 0xFE |
| Lever Rotated (Rx) | 0x29 | 0x0000 | Lever was rotated. WGA10 does not distinguish between inside/outside levers | 0x06 | 0xFE |

** - The Yale lock also supports a 3rd low battery alarm, too low to operate. This alarm is sent out as a Battery Report (with value = 0xFF) through the Battery Command Class. This is the last low battery alarm level before the product stops functioning.

Configurable Parameters

| <u>Configuration Parameters</u> | <u>Parameter Number</u> | <u>Size</u> | <u>Description</u> |
|---|-------------------------|-------------|--|
| Silent mode on/off | 1 | 1 byte | Level control, 1 = High Volume, 2 = Low Volume, 3 = Silent. Default is 1 or High Volume |
| Auto Relock on/off | 2 | 1 byte | 0x00 = OFF, 0xFF = ON default is 0x00 or OFF |
| Auto Relock time | 3 | 1 byte | 1 to 180 seconds default is 03 seconds |
| Wrong Code Entry Limit | 4 | 1 byte | 3 to 10 default is 5 times |
| Language | 5 | 1 byte | 1=English, 2=Spanish, 3=French default is 1= English |
| Shut down time (after wrong code entries) | 7 | 1 byte | 10 to 180 seconds default is 60 seconds |
| operating mode | 8 | 1 byte | 00 = normal mode (this is the default mode) 01 = vacation mode, keypad lockout 02 = privacy mode, no keypad. RF Unlock will work 03 = passage mode, Lock is permanently unlocked. |
| One Touch Locking | 11 | 1 byte | 0x00 = OFF, 0xFF = ON default is 0xFF or ON. |
| Privacy Button | 12 | 1 byte | 0x00 = OFF, 0xFF = ON default is 0x00 or OFF |
| Lock Status LED | 13 | 1 byte | 0x00 = OFF, 0xFF = ON default is 0xFF or ON. |
| Reset To Factory Defaults | 15 | 1 byte | 01 = Lock will execute Reset To Factory. No default value |
| Escape Return Mode | 16 | 1 byte | 0x00 = OFF, 0xFF = ON default is 0x00 or OFF Enables the Escape Return mode of operation for the lock. |
| Door Propped Timer | 18 | 1 byte | 10 to 2540 second. This value is represented as seconds X 10. (ie a value of 4 would mean a door propped timer of 40 seconds) Set to 0x00 to disable Door Propped Alarm. Default = 0x00 (OFF) |

| | | | |
|----------------------------|----|--------|---|
| DPS Alarms(Ax sensor) | 19 | 1 byte | <p>0x00 = OFF, 0xFF = ON Default is 0xFF or ON.</p> <p>Used to enable/disable door condition alarms for locks that support a door position sensor. Any lock that does not support DPS will always report 0x00.</p> |
| Deadbolt Installed | 20 | 1 byte | <p>0x00 = NO deadbolt , 0xFF = YES deadbolt</p> <p>Read only parameter. Some locks contain optional deadbolt hardware. This parameter is used to determine if one is installed.</p> |
| Eco Mode On/Off | 21 | 1 byte | <p>0x00 = OFF, 0xFF = ON default is 0x00 or OFF</p> <p>If supported switches lock to lower power mode of operation with reduced sound and led brightness.</p> |
| Privacy Mode with Deadbolt | 22 | 1 byte | <p>0x00 = OFF, 0xFF = ON default is 0x00 or OFF</p> <p>If enabled then extending the deadbolt will put the lock into Privacy Mode.</p> |
| Lock Body Alarms Mask | 23 | 1 byte | <p>Each bit controls one alarm. 1 = alarm enabled, 0 = alarm disabled.</p> <p>0xFF = All Alarms on, Default is 0xFF.</p> <p>Bit 0: DPS Alarm (AX) (Duplicate of parameter 19. Values should be tied together)</p> <p>Bit 1: Deadbolt Alarm</p> <p>Bit 2: Lever Rotated (Rx)</p> <p>Bit 3 – 7: Not Used</p> |

*** - Additional hardware required. These parameters are only active if the optional Door Position Switch has been installed with the lock.